

BRT-90 PLUS SFD Digital

Product Data Remote Controlled R&F Table $\pm 90^\circ$ Tilting



EQUIPMENT DESCRIPTION

BMI Biomedical International distributes high technology remote control diagnostic systems, able to satisfy every need of X-ray operators.

BRT-90 Plus SFD Digital is equipped with Hi-Tech control electronics, modular and expandable, interfaced through LAN and CAN to the generator, collimator, images acquisition devices and remote tele-diagnosis server.

BRT-90 Plus SFD Digital features $+90 - 90$ tilting, elevating tabletop and a very easy access to the patient, even from a stretcher or a wheel chair. SID (source Image Distance) is variable from 105 cm up to 180 cm thus allowing thorax exams without the use of an additional bucky stand. It allows diagnostic X-ray and fluoroscopic examinations, using both traditional and digital techniques, other than the possibility of using special applications as angiography and vascular interventional procedures. This system offers a complete control of the system, of the exam parameters and of the lowest patient dose, fast execution time and excellent image quality are ensured for any examination.



ESSE 3
BMI
BIOMEDICAL INTERNATIONAL

BRT-90 PLUS SFD Digital

Product Data Remote Controlled R&F Table $\pm 90^\circ$ Tilting



STANDARD CHARACTERISTICS

GENERAL

Kind of equipment and class According to IEC60601-1

Class II with applied parts of B type

Protection degree according to IEC 60529

Continuous working

Covers

ABS
PUR
Metallic

Colors

Standard:
- White RAL9001
- Green NCS S 0575G40Y

ELECTRICAL

Standard power supply

3N ~ 380-400 Vac

Frequency

50-60 Hz

Net isolation

Transformer 2 kVA

Protection

8A with thermo magnetic switch

Line impedance

$< 1.0 \Omega$ 380-400 Vac $\pm 10\%$

Loaded voltage fall

$< 2\%$



esse 3
BMI
BIOMEDICAL INTERNATIONAL

BRT-90 PLUS SFD Digital

Product Data Remote Controlled R&F Table ± 90° Tilting



REMOTE CONTROLLED TILTING TABLE

MECHANICAL CHARACTERISTICS

Table height in vertical position	2580 mm
Vertical mount height	1960 mm
Width	2545 mm
Maximum height with table in horizontal position and focus to film at 180 cm	I.I. 9": 2537 mm I.I. 12": 2687 mm I.I. 16": 2687 mm
Minimum and maximum height from ground with table in horizontal position	I.I. 9": 650 mm – 1450 mm I.I. 12": 750 mm – 1450 mm I.I. 16": 800 mm – 1450 mm
Access from forth side (back)	300 mm
Column displacement	2240 mm
SFD holder displacement	2140 mm
Rx covering area	430 x 2020 mm
Weight distribution plate (to be anchored on the floor)	1520x1520x20 mm – 360 Kg, alternatively 1520x1520x15 mm – 262 Kg



BRT-90 PLUS SFD Digital

Product Data Remote Controlled R&F Table $\pm 90^\circ$ Tilting



PATIENT TABLE TOP

Tabletop dimensions

250 x 70 cm.
Width 27 mm
Useful are: 232x50,5 cm

Tabletop

Standard tabletop (white): carbon fiber covered with laminated
Filtration 0,7 mm Al @ 100 kV
Max patient weight 225 Kg (without limitation)

Optional tabletop (black): carbon fiber
Filtration 0,4 mm Al @ 100 kV
Max patient weight 225 Kg (without limitation)

Tabletop side profiles of 6 mm, ready to attach some accessories.

Tabletop lateral excursion movement

± 15 cm

Longitudinal excursion

Tube column longitudinal excursion: 188 cm
Spot film device (center) excursion: 168,5 cm
The movement of both column and flat panel allows for patient total scanning: **202 cm** at adjustable speed up to **15 cm/sec**, controlled through joystick.

Important:

The movement of the longitudinal tabletop is not necessary as the complete exposure of the patient is guaranteed by the field of movement of the column and the flat panel.

Tube angulations range for oblique projections with I.I. parallax correction

$\pm 40^\circ$

Tabletop tilting range

- 90° to $+90^\circ$ continuously

X-ray tube assembly rotation range

- 180° to $+180^\circ$ motorized, control from console

SID

From 105 to 180 cm continuously or with presets



BRT-90 PLUS SFD Digital

Product Data Remote Controlled R&F Table $\pm 90^\circ$ Tilting



ACCESSORIES

Standard

- Removable footrest with surface 400x600 mm;
- Shoulder rest
- Pair of ergonomic handlers

Optional

- Paper roll bearer
- LDC glass bearer
- Compression band
- OB-GYN legs bearer
- Lateral cassette holder for oblique projection
- Hand safety stripes
- Additional pedal (in examination room) for RAD/Fluoro

DYNAMIC CHARACTERISTICS

Tabletop rise time from lower to max height (horizontal position)

15 sec

Tabletop combined rotation from 0° to $+90^\circ$

25 sec

Tabletop combined rotation from 0° to -90°

26 sec

Tabletop combined rotation from -90° to $+90^\circ$

37 sec

Tabletop lateral displacement

From 1cm/sec to 2,5 cm/sec

Lined translation (tube + receptor) along the horizontal axis

12 sec

Rotation only from 0° to $+90^\circ$

16 sec

Focus to film extension from 105 to 180 cm

18 sec



esse 3
BMI
BIOMEDICAL INTERNATIONAL

BRT-90 PLUS SFD Digital

Product Data Remote Controlled R&F Table $\pm 90^\circ$ Tilting



TOMOGRAPHY

Type

Planigraph with homothetic linear movement and electronic fulcrum calculation

Stratum max height

400 mm (physical limit 450 mm)

Increase / decrease

Manual, 1 mm step
Automatic (auto step function) with step mm program and selectable according to starting tomo angle

Speed

10° - 21° / sec. adjustable

Tilting angles

Preset 8° - 15° - 20° - 30° - 40°
According to customer preference within max 80° with respect to the chosen anatomical area and FFD

Tomo timings

Up to 5 speeds can be chosen that represent a percentage of the max speed: 3525 cm/sec (21°/sec)
For each tilting angles the speed can be decreased in 5 steps of approx. 10% per step.
A tomography at 40° and FFD 105cm at the maximum speed will take approx. 2,2 sec.

Direction

Bi-directional in each position of table and FPD/column group

Sequence tomography

Sequence program with outward and inward emission up to the limits set by the operator or to the reaching of preset limit; stratum, area, etc.

Receptor movement range

Tomography can be executed in different receptor position according to the angle, to the FFD and the selected stratum.



BRT-90 PLUS SFD Digital

Product Data Remote Controlled R&F Table $\pm 90^\circ$ Tilting



ABDOMINAL COMPRESSOR (OPTIONAL)

Positions	Park On field Compression
Commands	On the touch screen, through the joystick and on table control boards
Compression power	Can be set from 2 kg to 20 kg with 0,5 kg step
Min. distance compressor cone from tabletop	80 mm
Max. distance compressor cone from tabletop	420 mm
Compressor displacement	340 mm
Protections	Compressor limit control Automatically deductible compressor
Movements and parking	Motorized
Other characteristics	Remote controlled with automatic parking. It can be separately installed. Display of the dynamic pressure and of the set pressure. Possibility to go out of the X-ray field at end-of-the-run with longitudinal retraction, for better safety.



e s s e 3
BMI
BIOMEDICAL INTERNATIONAL

BRT-90 PLUS SFD Digital

Product Data Remote Controlled R&F Table $\pm 90^\circ$ Tilting



STEP ANGIO (OPTIONAL)

Type

Linked to a digital Wi Fi Flat Panel detector, cassette sized and related workstation.

Step Length

- Manual
- Automatic according to receptor size

Direction

Selectable

Interface

Integrated with HF Generator, collimator and digital images acquisition system

STITCHING EXAMS OF THE COLUMN AND LOWER ARTS (OPTIONAL)

Type

Linked to a digital Wi Fi Flat Panel detector, cassette sized and related workstation.

Image size

- 43 x 60 (2 images)
- 43 x 90 (3 images)
- 43 x 120 (4 images)

Direction

Head to foot

Interface

Integrated with HF Generator, collimator and digital images acquisition system



ESSE 3
BMI
BIOMEDICAL INTERNATIONAL

BRT-90 PLUS SFD Digital

Product Data Remote Controlled R&F Table $\pm 90^\circ$ Tilting



SPOT FILM DEVICE

Longitudinal displacement

168,5 cm

Speed

Possibility to set the speed up to 100 mm/sec

Type

Dragging belts without trolley

Accepted cassette sizes

All standard formats

- Film or CR from 18x24 to 35x43, both directions
- Film or CR from 5x7" to 14x17" both directions
- Wi Fi DR panels (optional)

Line divisions

- Band division 1, 2, 3, 4 and 5
- Cassette can be divided in two directions, vertical and horizontal
- Special function to optimize the use of the film dividing it in different size areas

Operating functions

- Standard
- Quick sequence
- Wi Fi DR program (optional)

Fluoroscopy to radiography switch time

Lower than 1 sec

Fast sequence average timing

2 imm. / sec

Lead limit control

Integrated

Anti-diffusion grid

Inserted in the SFD with its frame. Different types and models can be used.
Functioning:

- Fixed on field
- Vibrating on field
- Retractable for examination without grid.

Recommended specifications: FFD=120 cm and/or FFD=180 cm

I.I. mounting

Side flange ready to host any I.I. from 9" to 16".

Parallax correction

Extremely accurate. It is electronically controlled by stepper motor

lone chamber fixing

Ready to host the most common models



esse 3
BMI
BIOMEDICAL INTERNATIONAL

BRT-90 PLUS SFD Digital

Product Data Remote Controlled R&F Table $\pm 90^\circ$ Tilting



REMOTE CONTROLLED CONSOLE



Description

19" Control console Medical Grade Panel PC Touch Screen with all commands.
Nr. 4 joysticks duplicating the most frequent commands: tube angulations movements; FFD; tabletop tilting and elevation movements; longitudinal and transversal displacement.

Touch screen characteristics

Dimension: 19"
Resolution: 1600x1200 pixel
Brightness: 350 cd/m²
Number of colors: 32 bit
View angle: 170°H - 170°V
Aspect ratio: 4:3

Available connections

Dedicated LAN connected to control CPU
Standard LAN for networking
N. 4 RS232 ports

Additional controls

N. 2 additional membrane keyboards are located on the image receptor front and x-ray tube front duplicating all table controls.



BRT-90 PLUS SFD Digital

Product Data Remote Controlled R&F Table $\pm 90^\circ$ Tilting



COLLIMATOR

CHARACTERISTICS

Model	R225 ACS inclusive of retractable tape meter
Functioning	Manual with push buttons and knob Automatic, microprocessor controlled and CAN-BUS interface
Field	Square & rectangular + iris
Inherent filtration	2 mm Al eq.
Square field covering at 1 mt FFD	430x430 mm
Field light indicator	> 160 lux
Light indicator accuracy	< 1% FFD
Laser pointer	Single line projection
Options	
Laser pointer	Double (cross) line projection
Additional filtering	Disk support with automatic filter exchange device; it can be manual or automatically controlled by CAN-BUS <ul style="list-style-type: none"> • 1mm Al + 0.1mm Cu • 1mm Al + 0.2mm Cu • 2mm Al
RO314	Integrated camera for patient view
RO320	Collimator motorized rotation



esse 3
BMI
BIOMEDICAL INTERNATIONAL

BRT-90 PLUS SFD Digital

Product Data Remote Controlled R&F Table ± 90° Tilting



GENERAL SPECIFICATIONS

50 kW 65 kW 80 kW 100 kW

Generator type High Frequency Output (maximum 400 KHz)

Anode speed Low Speed Starters / optional Dual Speed Starter

Input Phase / Voltage 3 Φ 400-480 VAC

Line voltage Range ±10%

Manual Power De-Rating <10% line

Compatible X-Ray tubes >300 tube models

Tube operation 1 tube standards (2 tubes optional)

Anatomical programs (membrane /Touch screen console) 1024 / 20.000 + techniques

Image receptors Up to 6

Techniques Selection kV / AEC, kV / mAs or kV / mA / ms

Communication ports RS232, RS422

Auxiliary Room & collimator Power Standard feature

GenWare® Service Software PC based and technical support software

RADIOGRAPHY

50 kW 65 kW 80 kW 100 kW

kV_p range/Steps 40-150 kV in 1 kV increments

kV_p accuracy ± (2% + 1 kV) for 70-85 kV, ± (5% + 1 kV) for 40 – 150 kV

High Voltage Ripple <1 kV @ 110 kV

mA range 10-630 mA 10-800 mA 10-1000 mA

mA accuracy ± (5% + 1 mA) measured at + 5 ms for exposure > 5 ms
± (20% for exposure ≤ 5 ms (≤ 0.5 mAs)

Exposure Time Range 1 ms – 6300 ms in 1 ms increments

Exposure Time Accuracy (measured at 75% points of kV waveform) ± (2% + 0.5 ms) from 5 ms to 6300 ms,
± (10% + 1 ms) ≤ 5 ms (≤ 0.5 mAs)

mAs Range (non-AEC) 0.1 – 1000 mAs

mAs Accuracy ± (10% + 0.2 mAs) for exposure > 5 ms (> 0.5 mAs)



BRT-90 PLUS SFD Digital

Product Data Remote Controlled R&F Table ± 90° Tilting



CONTINUOUS FLUOROSCOPY

65 kW

80 kW

100 kW

kV_p range/Steps

40-125 kV in 1 kV steps

kV_p Accuracy

± (2% + 1 kV) for 70-85 kV, ± (5% + 1 kV) for 40 – 150 kV

High Voltage Ripple

<1 kV @ 110 kV

mA Range / Steps

0.1 - 10 mA in 0.1 mA steps

mA Accuracy

± (5% + 1 mA) measured at > 50 ms;
± (20%) for exposure ≤ 6.7 mA

OPTIONS (not included)

50 kW

65 kW

80 kW

100 kW

AEC Interface

Available – Ionization, PTM, or Solid State

Hand Switch

Standard

Dose Area Product (DAP) Interface

Available

Dual Speed Starter

Available

Falling Load

Available

High Level Continuous Fluoroscopy

Available – Up to 20 mA

High level Pulsed Fluoroscopy

Available

Remote Fluoroscopy Control

Available

Additional Tube Capability

Available

Standard Console Pedestal

Available

Standard Console Wall Mount

Available

Touchscreen Console

Available

Touchscreen Wall Mount

Available



BRT-90 PLUS SFD Digital

Product Data Remote Controlled R&F Table $\pm 90^\circ$ Tilting



MIRROR DII: DIGITAL IMAGE ACQUISITION SYSTEM



Mirror DII's workflow enhancements make it faster and easier to consistently acquire high-quality images. The new low-dose technology surpasses industry standards and puts patient safety first. With Mirror DII's integrated, on-screen generator controls, workflow is significantly improved.

Key Features

- 1Kx1Kx12 bits image processing
- 25 fps @ 1kx1k pixels continuous fluoroscopy
- Up to 25 fps @ 1Kx1K High contrast Pulsed fluoroscopy
- Up to 12 fps @ 1Kx1K Digital Radiography
- Auto / Manual Cine-loop
- Anatomical programs
- Real Time Digital Subtraction Angiography (optional)
- Max opacification and Road Mapping procedures (optional)
- Shifting Pixels and Land-Marking operations
- Complete RAD & Fluoro Dose Area Product reporting
- Large reporting capability: DICOM print, DICOM CD/DVD, USB2 Pen Drive in BPM format, USB2 Windows printer
- Windows XP Professional Operating System
- High speed processing: 2GB RAM memory, CPU Intel >2GHz



esse 3
BMI
BIOMEDICAL INTERNATIONAL

BRT-90 PLUS SFD Digital

Product Data Remote Controlled R&F Table $\pm 90^\circ$ Tilting



TECHNICAL DATA

General Data

- Multiprocessor digital system: 32 bit microcontroller and one Intel PC
- 2GHZ, 2GB RAM memory, 160 GB HD and Windows XP Profession OS
- High Sensitivity Low Noise dedicated 1 MPixels CCD TV Camera
- Up to 3 Medical Display with DICOM LUT, 19" LCD monochrome and/or 19" LCD color

Acquisition mode

- Continuous fluoroscopy 25 fps @ 1Kx1K pixels resolution
- High Contrast Fluoroscopy: 1, 3, 6, 12, 25 fps @ 1Kx1K pixels
- Digital Radiography: 0.5, 1, 2, 3, 4, 6, 12 fps @ 1Kx1K pixels

Operator Interface

- Window XP Graphic interface and dedicated icons for intuitive selections
- Anatomical programs for dedicated studies with automatic pre-setting of acquisition, processing and reporting operations
- High brightness monochrome Medical Display for a comfortable image view
- Up to eight selectable reference images on second display

Real time display

- Automatic image brightness and exposure control
- Dynamic noise reduction filters in fluoroscopy (recursive & motion detect)
- Anatomical harmonization spatial filters in radiography
- Hard disk image storing @ rate of 25 fps, up to 50 minutes registration time (standard HD size)
- H/V image reverse
- 90° image rotation
- Grey scale image reverse
- Auto / man windowing (Contrast / brightness)
- Registration of the Max Opacification in fluoroscopy
- Digital Subtraction Angiography with automatic / manual mask selection
- Automatic Fluoroscopy Registration capability



ESSE 3
BMI
BIOMEDICAL INTERNATIONAL

BRT-90 PLUS SFD Digital

Product Data Remote Controlled R&F Table $\pm 90^\circ$ Tilting



TECHNICAL DATA

Post Processing

- H / V image reverse
- Grey scale image reverse
- Auto / man windowing (Contrast / brightness)
- 90° image rotation
- Spatial filters (Edge enhancement, Harmonization)
- Auto / Man cine-loop with selectable sequence period and frame rate
- Electronic smart collimators
- Electronic zoom
- Overview of 4-9-16 images (mosaic)
- Road Mapping
- Digital Subtraction angiography with remasking, Land Marking , Shifting Pixel
- Text overlay with pre-programmed words and symbols
- Distances, angles, measurements, stenosis (option)

Reporting

- DICOM print
- Window printer via USB2
- BMP format via USB2 Pen Drive

Networking

- DICOM 3 VERIFY SCU/SCP
- DICOM 3 STORAGE SCU
- DICOM 3 PRINT SCU
- DICOM 3 WORKLIST SCU
- DICOM 3 MEDIA: CDROM/DVD
- DICOM 3 MMPS SCU
- DICOM 3 STORAGE COMMITMENT SCU



esse 3
BMI
BIOMEDICAL INTERNATIONAL

BRT-90 PLUS SFD Digital

Product Data Remote Controlled R&F Table ± 90° Tilting



IMAGE INTENSIFIER DATA

CHARACTERISTICS

9" (23 cm)

Triple field with 25 mm output window, it is intended for high-end digital radiography applications.

- lower noise in digital mode;
- improved blemish characteristics;
- pulse operating mode;
- wide dynamic operating mode

12" (32 cm)

Triple field with 25 mm output window, this image intensifier provides ultra-high contrast needed for high-end digital radiography applications.

- lower noise in digital mode;
- improved blemish characteristics;
- pulse operating mode;
- wide dynamic operating mode

16" (40 cm)

Quadruple field with 35 mm output window, this image intensifier provides ultra-high contrast needed for high-end digital radiography applications.

- Advanced input screen, for high DQE, high resolution and lower x-ray exposure;
- Ultra compact output phosphor screen, for unrivalled resolution, low structural noise and a high conversion factor;
- Thick output window, for high contrast and compatibility with digital image processing;

ADDITION CHARACTERISTICS

Zoom

3

3

4

Nominal entrance field size

23 cm

32 cm

40 cm

Output image diameter

25 mm

25 mm

35 mm

Output window thickness

14 mm

14 mm

19 mm

DQE at 59.5 keV

65%

65%

65%



ESSE 3
BMI
BIOMEDICAL INTERNATIONAL

BRT-90 PLUS SFD Digital

Product Data Remote Controlled R&F Table ± 90° Tilting



OPERATING MODE

9" (23 cm)

Useful entrance field
Conversion factor

Limiting reduction

- Center
 - 93% radius
- Contrast ratio
- Large area (10%)
 - Small detail (10mm)

Brightness non
uniformity

Distortion

- Integral
- Differential
(90%radius)

Normal

215 mm
260 cd.m²/mR.s⁻¹
30 cd.m⁻²/μGy.s⁻¹

56 lp/cm
50 lp/cm

36:1
23:1

25%

4%
18%

Zoom 1

160 mm
130 cd.m²/mR.s⁻¹
15 cd.m⁻²/μGy.s⁻¹

62 lp/cm
56 lp/cm

>36:1
25:1

12%

3%
8%

Zoom 2

120 mm
65 cd.m²/mR.s⁻¹
8 cd.m⁻²/μGy.s⁻¹

70 lp/cm
64 lp/cm

>36:1
30:1

6%

2%
4%

12" (32 cm)

Useful entrance field
Conversion factor

Limiting reduction

- Center
 - 93% radius
- Contrast ratio
- Large area (10%)
 - Small detail (10mm)

Brightness non
uniformity

Distortion

- Integral
- Differential
(90%radius)

Normal

290 mm
320 cd.m²/mR.s⁻¹
36 cd.m⁻²/μGy.s⁻¹

48 lp/cm
40 lp/cm

36:1
22:1

20%

8%
30%

Zoom 1

215 mm
160 cd.m²/mR.s⁻¹
18 cd.m⁻²/μGy.s⁻¹

54 lp/cm
50 lp/cm

>36:1
24:1

15%

5%
12%

Zoom 2

160 mm
80 cd.m²/mR.s⁻¹
9 cd.m⁻²/μGy.s⁻¹

62 lp/cm
58 lp/cm

>36:1
30:1

10%

3%
6%



esse 3
BMI
BIOMEDICAL INTERNATIONAL

BRT-90 PLUS SFD Digital

Product Data Remote Controlled R&F Table ± 90° Tilting



OPERATING MODE

16" (40 cm)	Normal	Zoom 1	Zoom 2	Zoom 3
Useful entrance field	360 mm	290 mm	215 mm	160 mm
Conversion factor	350 cd.m ² /mR.s ⁻¹ 40 cd.m ⁻² /μGy.s ⁻¹	205 cd.m ² /mR.s ⁻¹ 124 cd.m ⁻² /μGy.s ⁻¹	110 cd.m ² /mR.s ⁻¹ 13 cd.m ⁻² /μGy.s ⁻¹	65 cd.m ² /mR.s ⁻¹ 8 cd.m ⁻² /μGy.s ⁻¹
Limiting reduction				
• Center	46 lp/cm	50 lp/cm	56 lp/cm	64 lp/cm
• 70% Radius	42 lp/cm	46 lp/cm	53 lp/cm	61 lp/cm
• 93% radius	40 lp/cm	44 lp/cm	51 lp/cm	59 lp/cm
Contrast ratio				
• Large area (10%)	30:1	32:1	>34:1	>36:1
• Small detail (10mm)	20:1	23:1	25:1	>30:1
Brightness non uniformity	20%	15%	10%	10%
Distortion				
• Integral	9%	7%	6%	5%
• Differential (90%radius)	29%	18%	14%	10%



esse 3
BMI
BIOMEDICAL INTERNATIONAL

BRT-90 PLUS SFD Digital

Product Data Remote Controlled R&F Table $\pm 90^\circ$ Tilting



STANDARD MONITOR LCD TFT 19" Colour



Screen type	19" LCD TFT colour panel with anti-glare surface
Resolutions	1280x 1024 pixels
View area	376x301 mm
Contrast ration	800:1 (TIP)
Brightness	270 Cd/m ²
View angle	178° H – 178° V
Total response time	18 ms (TIP)
Grey scale compensa- tion	10 bits
Resolution presets	640x480 @ 60/75 Hz 800x600 @ 60/75 Hz 1024x768 @ 60/75 Hz 1280x1024 @ 60/75 Hz
Grey scale	256 levels X3 (8bit) / 16.7 million colours
Dimensions	430x380x80 mm
Weight	8,6 Kg



esse 3
BMI
BIOMEDICAL INTERNATIONAL

BRT-90 PLUS SFD Digital

Product Data Remote Controlled R&F Table $\pm 90^\circ$ Tilting



OPTIONAL MONITOR

LCD TFT 19" Monochrome



Screen type	19" LCD TFT Monochrome
Resolutions	1280x 1024 pixels
View area	376x301 mm
Contrast ration	900:1 (TIP)
Brightness	1000 Cd/m ²
View angle	170° H – 170° V
Total response time	18 ms (TIP)
Grey scale compensa- tion	10 bits
Resolution presets	640x480 @ 60/75 Hz 800x600 @ 60/75 Hz 1024x768 @ 60/75 Hz 1280x1024 @ 60/75 Hz
Dimensions	430x380x80 mm
Weight	8,6 Kg



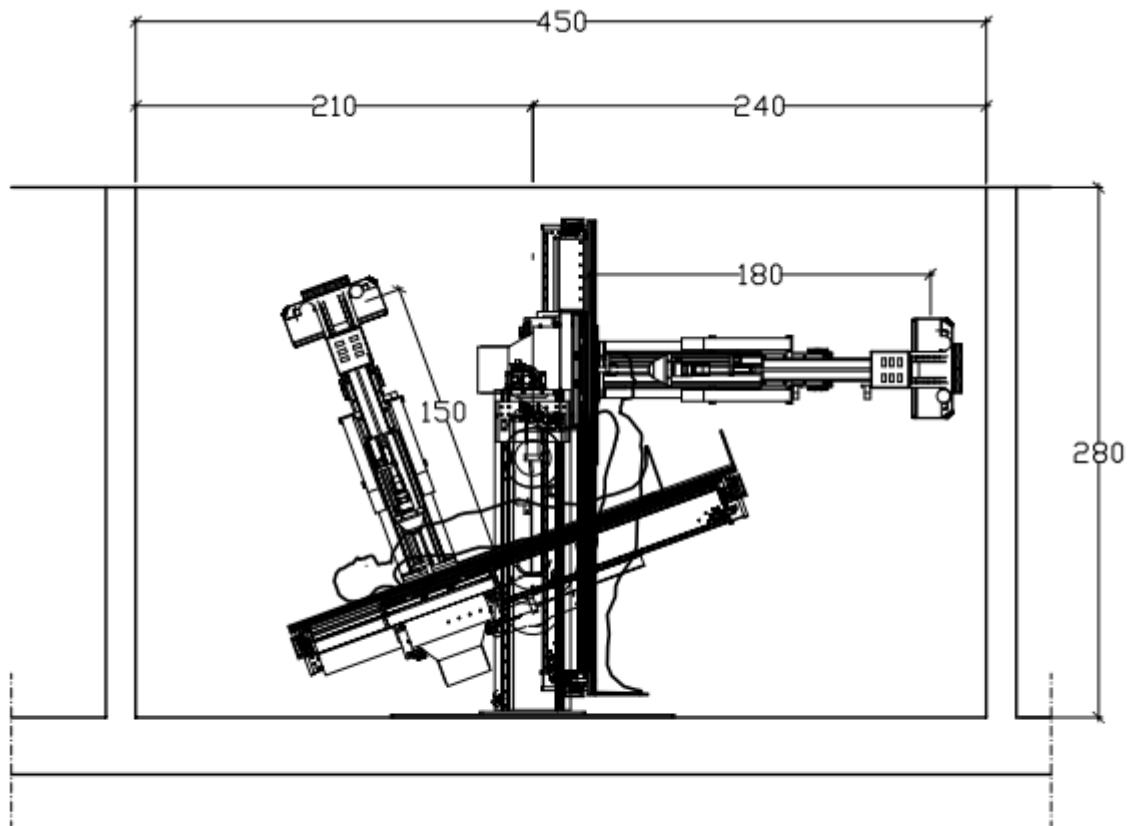
e3e3
BMI
BIOMEDICAL INTERNATIONAL

BRT-90 PLUS SFD Digital

Product Data Remote Controlled R&F Table $\pm 90^\circ$ Tilting



ROOM DIMENSIONS



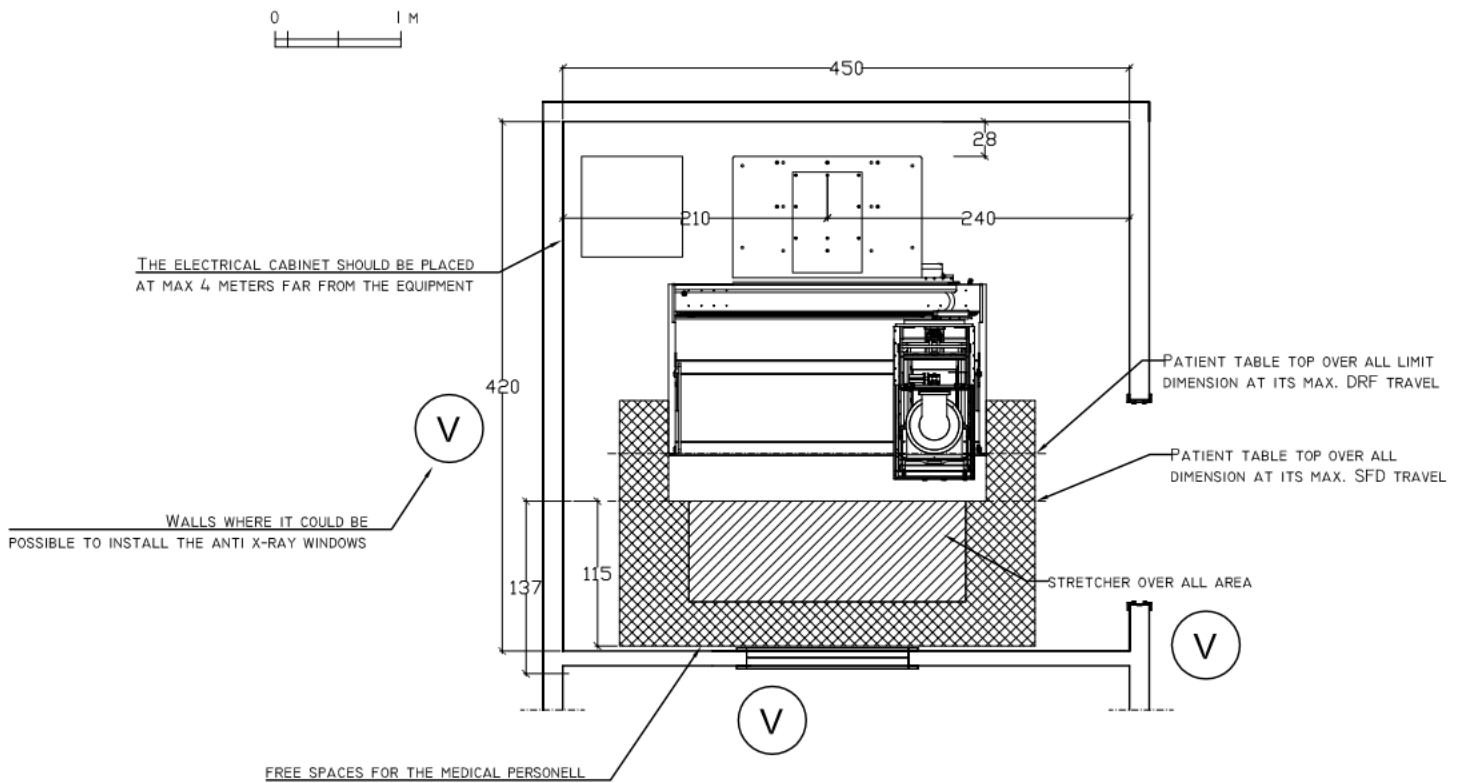
Minimum over all dimension required during operation

BRT-90 PLUS SFD Digital

Product Data Remote Controlled R&F Table $\pm 90^\circ$ Tilting



ROOM DIMENSIONS



In case of DRF the depth could be reduced from 420 cm to 380 cm

Data subject to modification without prior notice

PD-131-E 09/05/2016 Rev.00



ESSE3 srl, Via Garibaldi 30
14022 Castelnuovo D.B. (AT)
Tel +39 011 99 27 706
Fax +39 011 99 27 506
e-mail esse3@chierinet.it
web: www.esse3-medical.com

